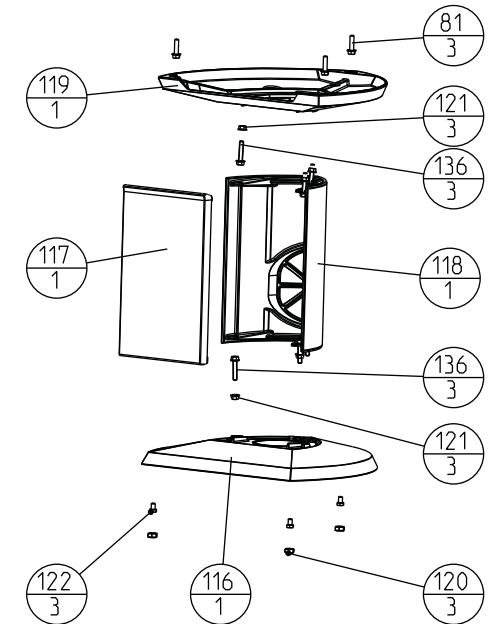
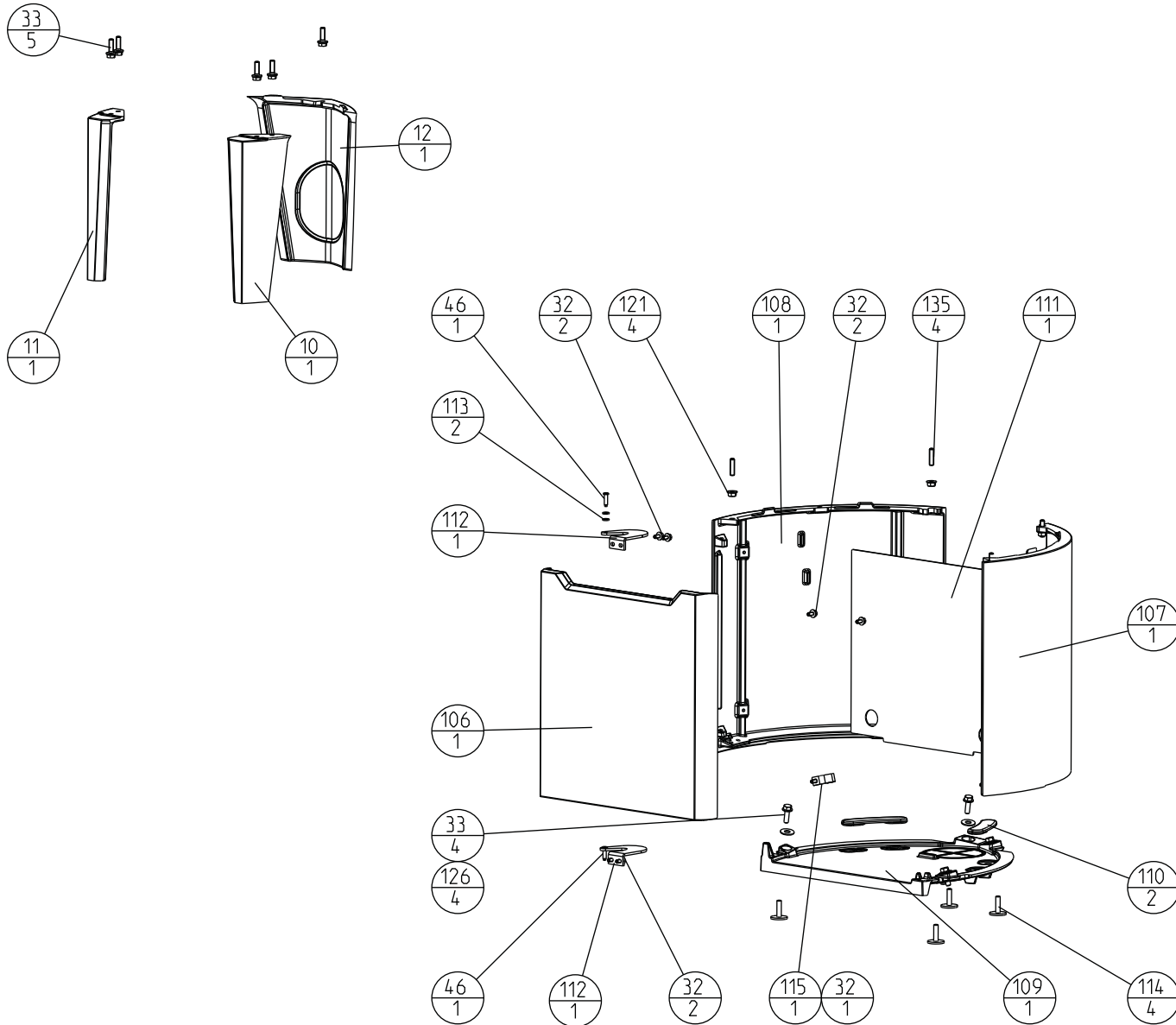


| | | |
|----------------------------------|-------------------------|---------------------|
| Partlist, Jøtul F 160 | | |
| Jøtul AS, Fredrikstad, Norway | Draw. no: 900129-P14 | Date: 11.06.2015 |

F 162 / F 163

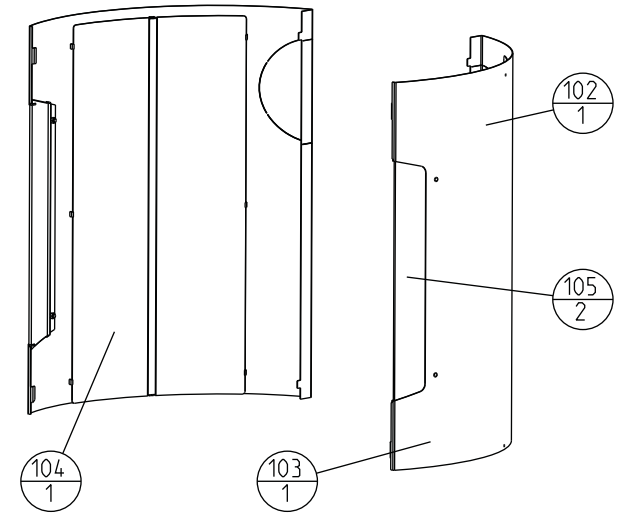
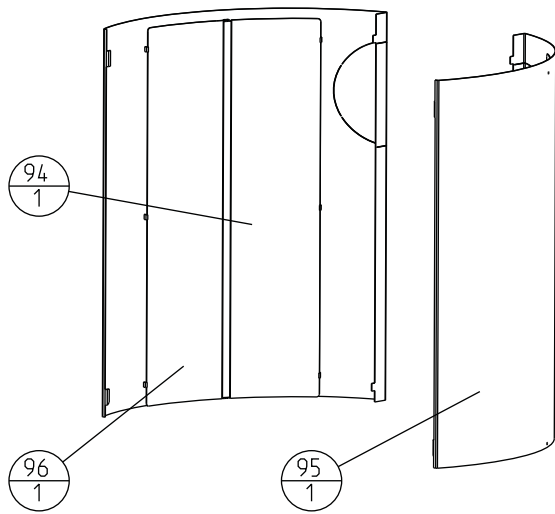
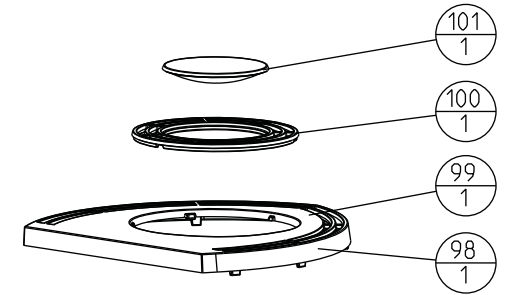
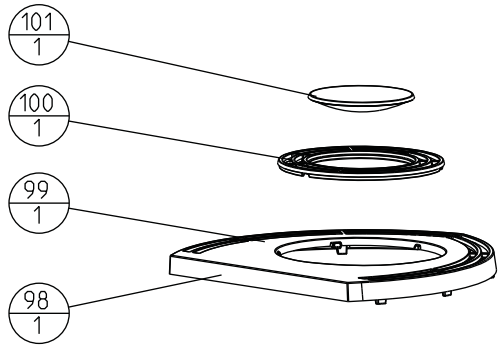
F 164 / F 165

F 166 / F 167



Partlist, Jøtul F 160

| | | |
|---------------------------------|-------------------------|---------------------|
| Jøtul AS Fredrikstad, Norway | Draw. no: 900129-P14 | Date: 11.06.2015 |
|---------------------------------|-------------------------|---------------------|



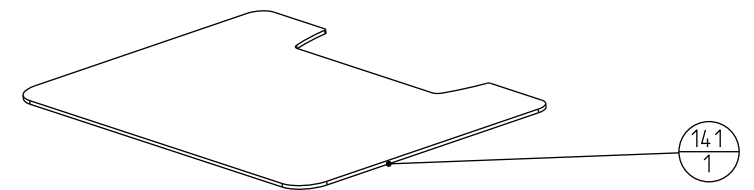
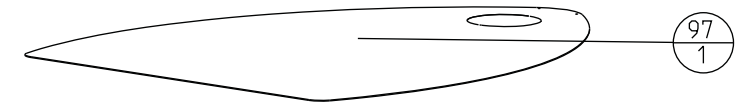
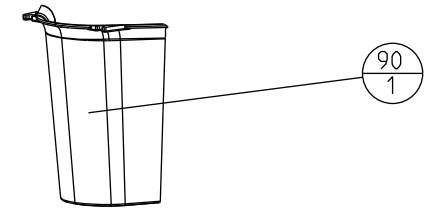
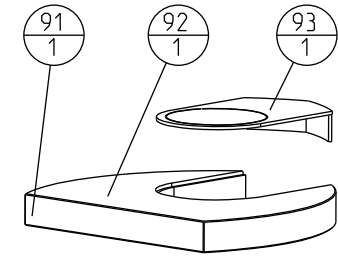
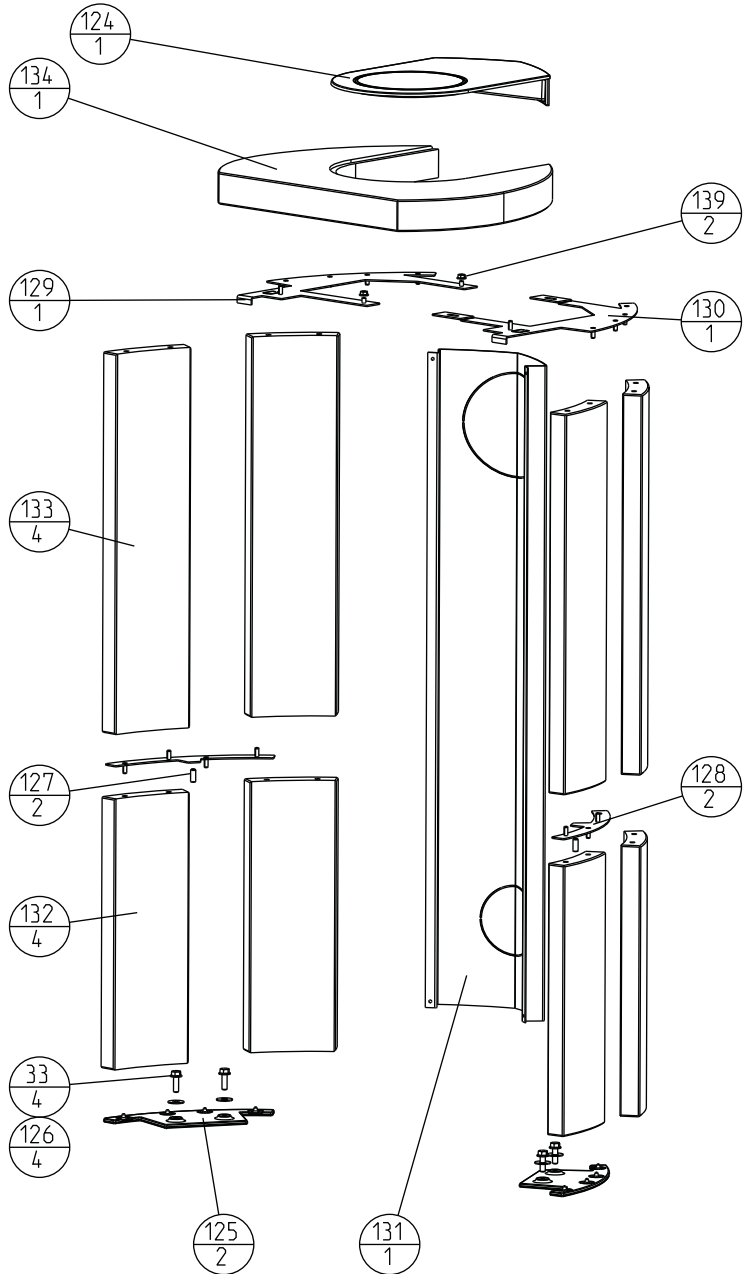
Partlist, Jøtul F 160

Jøtul AS
Fredrikstad, Norway

Draw. no:
900129-P14

Date:
11.06.2015

F 164 / F 165



| | | |
|---------------------------------|-------------------------|---------------------|
| Partlist, Jøtul F 160 | | |
| Jøtul AS Fredrikstad, Norway | Draw. no: 900129-P14 | Date: 11.06.2015 |